



## RK120-07 Ultrasonic Wind Speed & Direction Sensor

RK120-07 The wind speed and direction meter are a kind of measuring instrument which uses the time difference of ultrasonic wave in the air to measure the wind speed and direction. RK120-07 uses low-power chip with power consumption of only 0.2W, which is especially suitable for solar or battery powered environment with high power consumption requirements. Due to the adoption of new technology and new process, the structure is more compact and compact. Optional temperature and air pressure module.

### FEATURES

- Adapt to complex weather conditions
- No moving parts, long service life
- The surface preservative treatment
- Strong anti-interference
- High accuracy



### APPLICATIONS

- Environmental monitoring
- Sea-going vessel
- Bridge & Tunnel
- Solar and wind power generation
- Wind resource assessment
- Drilling platform
- Automatic weather station
- Agriculture

### SYSTEM TECHNICAL SPECIFICATION

Item	Technical Specification		
Power Supply	12-24VDC		
Power consumption	1.7W		
Output Signal	4-20mA①,RS232/RS485(Modbus or NMEA-183), SDI-12		
Operating Temperature	-30°C-+60°C		
Ingress Protection	IP65		
Dimension	Φ82*108mm		
Weight(unpacked)	0.8kg		
Main material	ABS		
Item	Technical Specification		
	Range	Resolution	Accuracy
Wind speed	0-40m/s	0.1m/s	±3%
Wind direction	0-360°	1°	±3°
Starting Threshold	0.1m/s	0.1m/s	
Extreme Wind Speed	60m/s		

①When there are only two parameters of wind speed and wind direction, 4-20mA output can be selected.

## RK120-07 Ultrasonic Wind Speed & Direction Sensor

### MOUNTING & DIMENSION

Step1:

Positioning: generally, RK120-07 is installed in a vertical installation pipe. ensure the measurement on the same level.

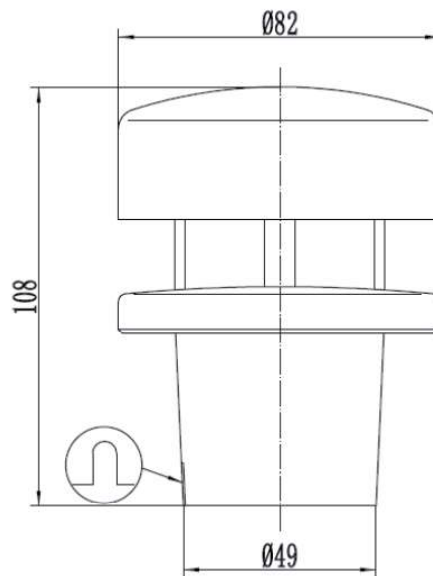
For indoor use, the sensor can be used at anywhere. Directional installation to measure wind speed on different planes.

Step2:

There are rotary adjustable mounting holes at the bottom of the sensor, when mounting the sensor, to ensure the indicator on the sensor comply with the geographic north.

Step3:

Installation: the installation pipe needs 3 equally spaced holes, tapping M5 screws, position 7.5mm from the top of the pipe.



### EQUIPMENT MAINTENANCE & ATTENTION

#### Equipment maintenance:

If there is dust on the instrument, it can be lightly scrubbed with a cloth stained with (biodegradable) soft detergent.

Do not use dissolvable reagents. Scrub carefully to avoid scratching the surface of the instrument. If there is snow or ice on the surface of the instrument, wait for it to dissolve naturally slowly, and do not use tools to remove it.

#### Attention:

- ◆ Do not install it on the same plane with any radar scanning device, and keep a distance of at least 2m.
- ◆ If the cable is not properly connected after cutting, or the cable shield is not well maintained, EMC (electromagnetic compatibility) may be reduced.
- ◆ Ensure the continuous power supply of RK120-07 in operation.



## RK120-07 Ultrasonic Wind Speed & Direction Sensor

- ◆ Avoid turbulence caused by surrounding buildings, such as trees, power poles, tall buildings, etc., which can affect. The accuracy of acoustic wind speed and direction detector is affected. The detector is best installed on the side of prevailing wind.
- ◆ If it is installed on the building, theoretically, the installation height of anemometer should be 1.5 of the building heights.
- ◆ RK120-07 can meet or even exceed the specifications listed in it, and can be used in environments around the world without calibration.

### PARAMETER SELECTION TABLE

Remark	Series	Type	Parameter	Supply	Output	Cable length	
RK							
	120						
		07					
			A				With atmospheric pressure
			X				Other
				A			12-24V
				X			Other
					A		4-20mA
					B		
					C		RS485(Modbus)
					D		RS485(NMEA-183)
					E		RS232(Modbus)
					F		RS232(NMEA-183)
					G		SDI-12
						4000	4m default
						10000	10m
						...	

Example: RK120-07AAG4000 With atmospheric pressure, Supply:12-24V, Output: SDI-12 Cable length:4m.



Complies with applicable CE directives.

Specifications subject to change without notice. Version 3.1

Copyright © 2015 Hunan Rika Electronic Tech Co.,Ltd